

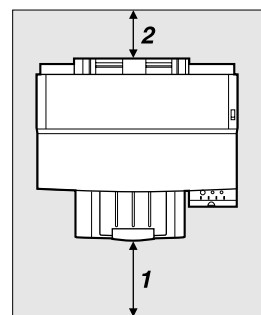
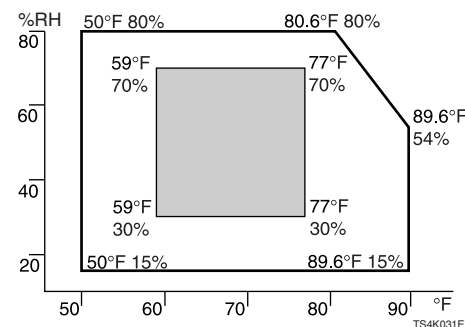
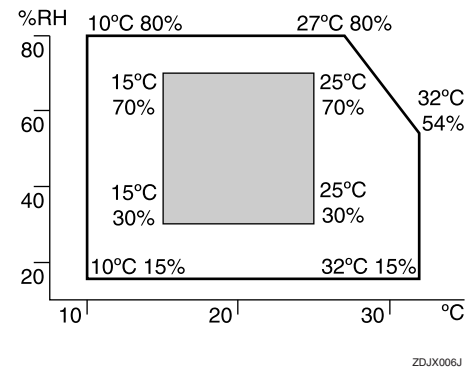
1 Checking the Installation Area

⚠ Warning

- Only connected the machine to the power source described on this sheet.
- Avoid multi-wiring.
- Connect the power cord directly into a wall outlet and never use an extension cord.
- Do not damage, break or make any modifications to the power cord. Do not place heavy objects on it, pull it hard nor bend it more than necessary. These actions could cause an electric shock or fire.
- Do not plug or unplug the power cord with your hands wet. Otherwise, an electric shock might occur.
- Make sure the wall outlet is near the machine and freely accessible so that in event of an emergency it can be unplugged easily.

⚠ Caution

- Keep the machine away from humidity and dust. A fire or an electric shock might occur.
- Place the machine on a strong and level surface. Otherwise, the machine might fall and cause personal injury.
- If you use the machine in a confined space, confirm that there is a continuous flow of air.



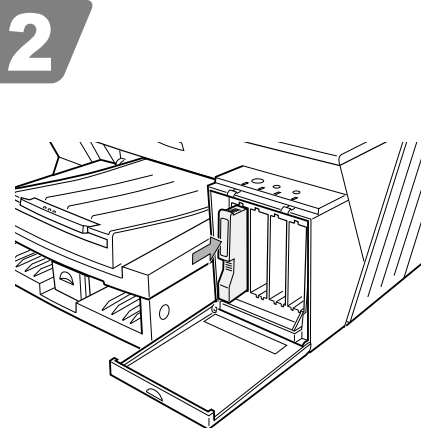
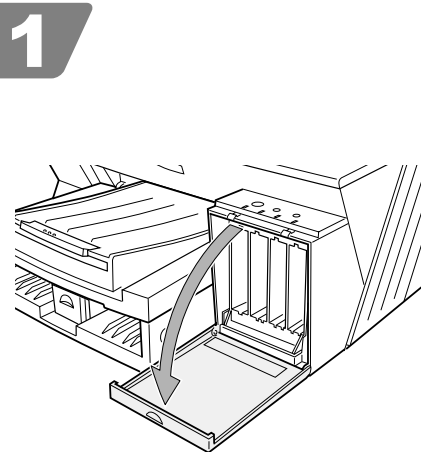
1. At least 17 cm (6.7 inches)
2. At least 12 cm (4.8 inches)

Power source: 220-240V, 0.4A or more, 50/60Hz

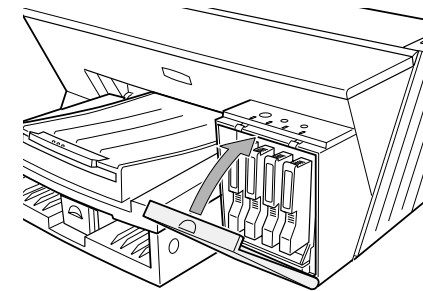
2 Installing the Print Cartridges

⚠ Caution

- If ink comes into contact with your eyes, rinse immediately in running water. For other symptoms, consult a doctor.
- If ink is ingested, induce vomiting by drinking a strong saline solution. Consult a doctor immediately.
- If you get ink on your skin, rinse it off immediately with water. If necessary, wash it off with soap and water.
- Keep ink (used or unused) and ink containers out of reach of children.



3

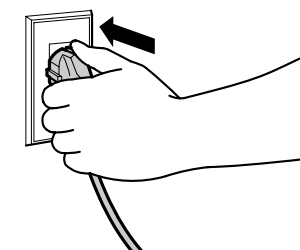


3 Plugging in the Power Cord

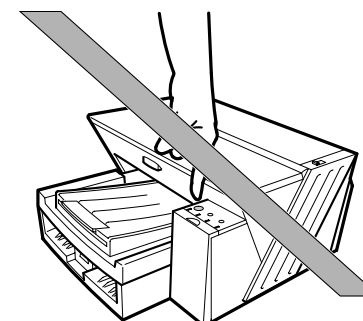
⚠ Warning

- Only connect the machine to the power source described on this sheet.
- Avoid multi-wiring.
- Connect the power cord directly into a wall outlet and never use an extension cord.
- Do not damage, break or make any modifications to the power cord. Do not place heavy objects on it. Do not pull it hard nor bend it more than necessary. These actions could cause an electric shock or fire.
- Do not plug or unplug the power cord with your hands wet. Otherwise, an electric shock might occur.

1

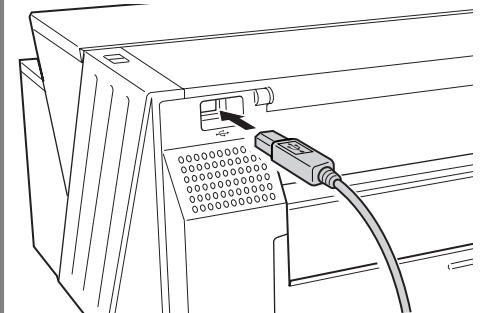


2

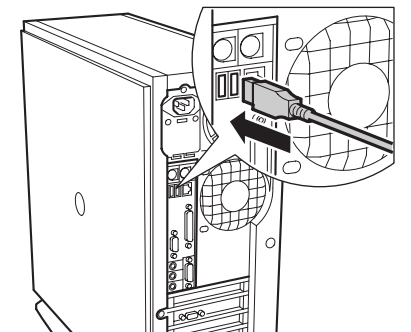


4 Connecting to a Computer

1

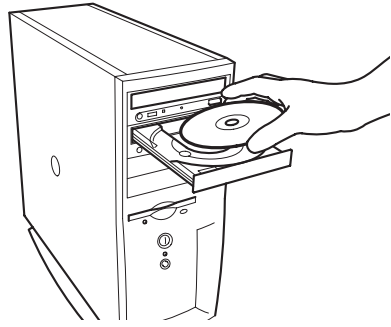


2



5 Quick Install for USB

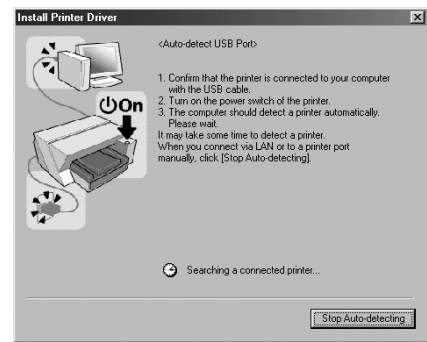
1



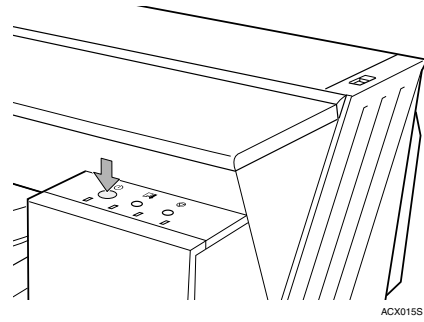
2



3

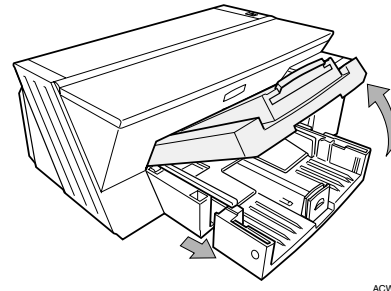


4

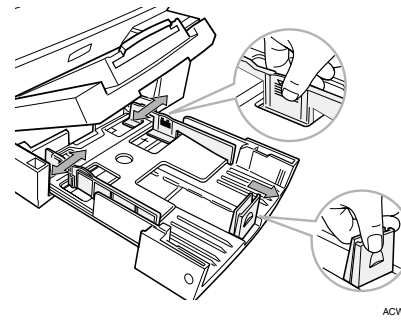


6 Loading Paper

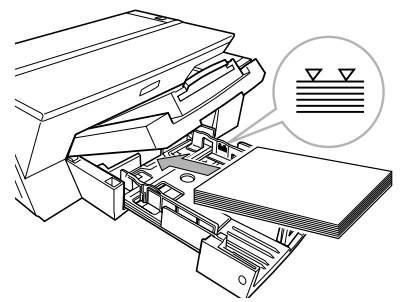
1



2



3



4

